



Shower - IMO

Rain shower wall-mounted - polished chrome

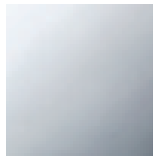
Article number: 28 649 670-00 0010



- 17-3/4" Projection
- Stream: Rain
- Descaling system
- Rain shower Ø 8-5/8"
- Flange 2-1/2" x 2-1/2"
- 1/2" connection
- Water flow rate limited to max. 1.8 gpm

Codes & Standards

- California Energy Commission (CEC)
- ASME A112.18.1/CSA B125.1



polished chrome

Accessory is required for this item.



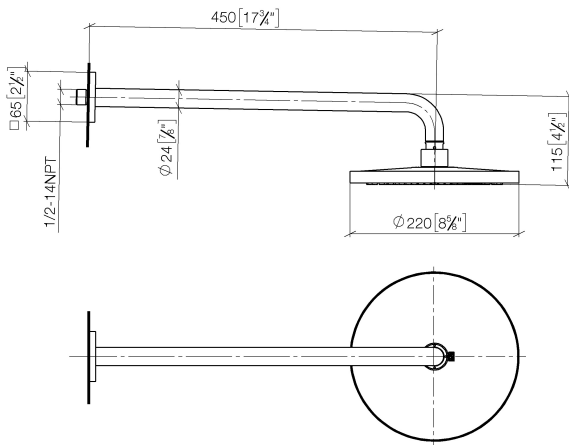
Shower - IMO

Rain shower wall-mounted - polished chrome

Article number: 28 649 670-00 0010

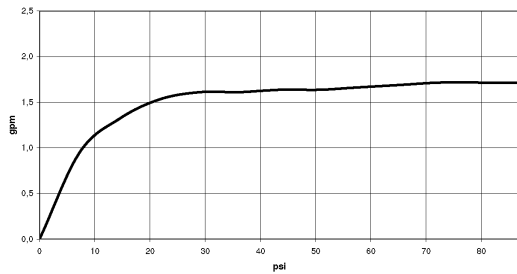
Dimensional drawing

mm [inches]



All dimensions in mm / inch = mm x 0,0394

Flow rate chart





Shower - IMO

Rain shower wall-mounted - polished chrome

Article number: 28 649 670-00 0010

Other surface finishes



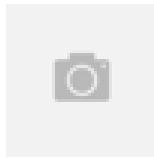
platinum matte

28 649 670-06 0010



platinum

28 649 670-08 0010



Brushed Durabrass

28 649 670-28 0010

More custom finish options are available via special production (xTra Service). Please see our finish matrix for availability and pricing or contact a Dornbracht representative.



35 085 970-90 0010

Concealed wall elbow -

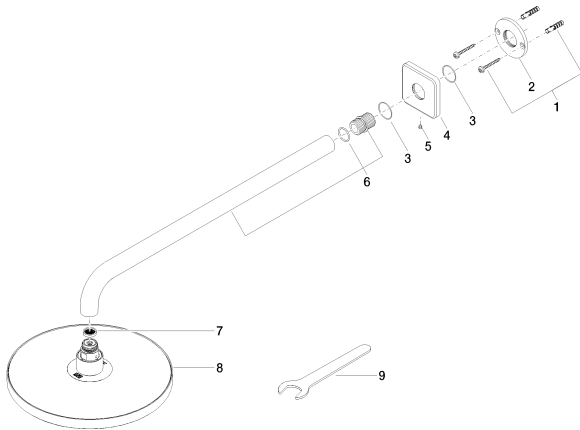


Shower - IMO

Rain shower wall-mounted - polished chrome

Article number: 28 649 670-00 0010

Spare parts list



Number	Item Number	Designation	Number of units
1	04 30 31 032 00 90	fixing set	1
2	09 17 20 120 90	holder	1
3	09 14 10 150 90	seal	2
4	09 27 67 015-00	rosette	1
5	09 31 11 038 90	pin	1
6	90 11 03 070 00-00	pipe	1
7	09 23 01 075 90	insert	1
8	09 30 09 069 90	key	2